

SCXI-1371 RACK-MOUNT KIT

This guide describes how to attach the SCXI-1371 rack-mount kit to an SCXI-1000, SCXI-1000DC, or SCXI-2000 chassis.

Introduction

You can use the SCXI-1371 rack-mount kit to mount an SCXI-1000, SCXI-1000DC, or an SCXI-2000 chassis in a standard 19 in. rack. With the multiposition rack-mount brackets, you can install the SCXI chassis in one of six different positions to attain the desired front panel depth.

What You Need to Get Started

- SCXI-1371 rack-mount kit
 - Rack-mount bracket
 - Four 8-32 by 5/16 in. Phillips flathead screws
 - Four 10-32 by 1/2 in. Phillips panhead screws
 - Rack-mount bracket for the 4-slot SCXI-1371 chassis (with the longer side panel)
 - Brace for the 4-slot SCXI-1371 chassis
 - Four 6-32 hex nuts
 - Four no. 6 lockwashers
 - Two 6-32 by 1/4 in. Phillips panhead screws
 - SCXI-1371 Rack-Mount Kit Installation Guide*

- No. 2 Phillips-head screwdriver

- 5/16 in. nut driver

- SCXI chassis

SCXI™ is a trademark of National Instruments Corporation. Product and company names are trademarks or trade names of their respective companies.

Installation

Refer to Figure 1 as you perform steps 1-4. The rack-mount bracket with the longer side panel can be mounted on either side of the SCXI chassis. Both rack-mount brackets can be mounted in one of six positions to attain different depths. For detailed measurements of the SCXI-1000, SCXI-1000DC, or SCXI-2000 chassis, refer to Appendix A, *Specifications*, of the *SCXI Chassis User Manual*. Item numbers refer to the labels in Figure 1.

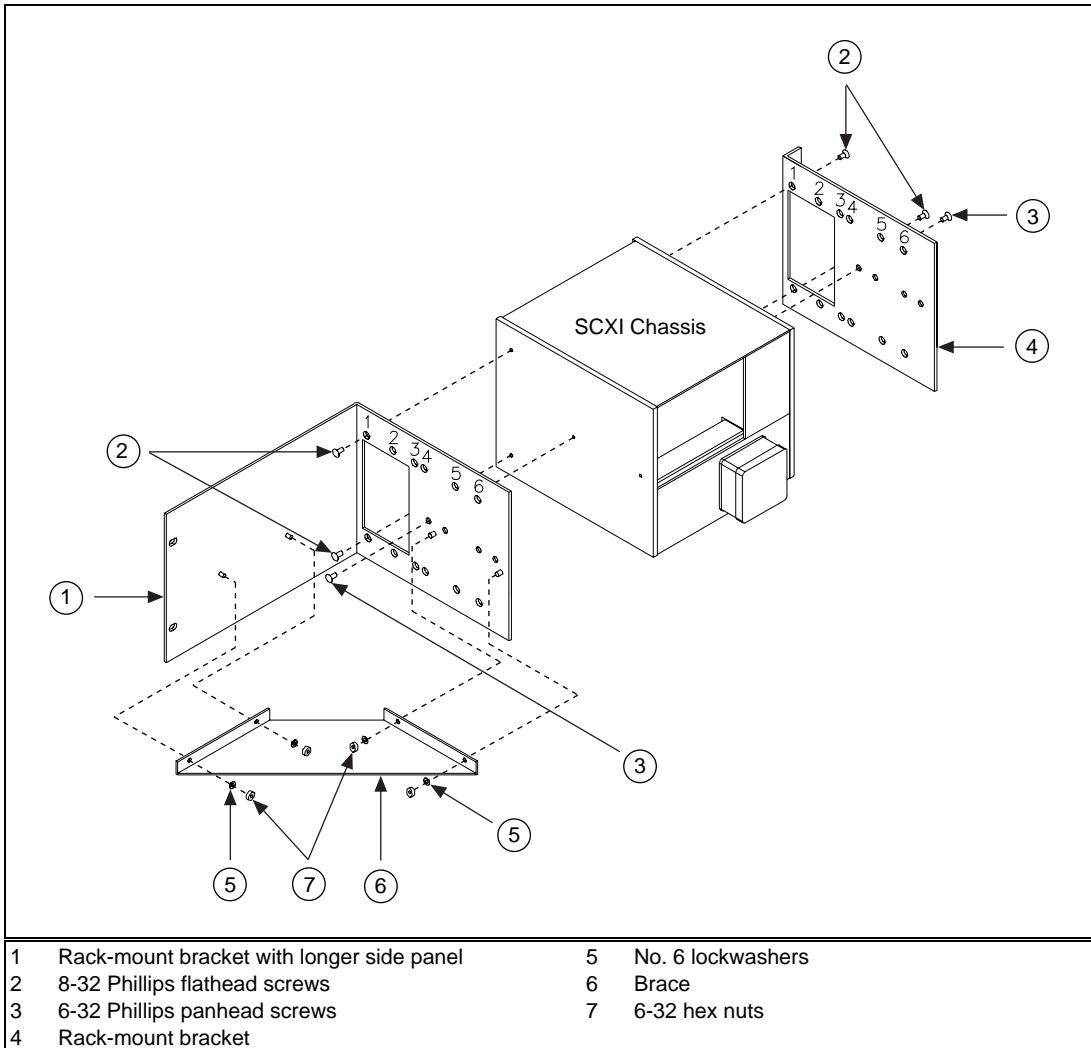


Figure 1. SCXI-1371 Rack-Mount Kit Installation

1. Turn off the SCXI-1000, SCXI 1000DC, or SCXI-2000 chassis power.
2. Use the 6-32 hex nuts (item 7) and no. 6 lockwashers (item 5) to attach the brace (item 6) to the rack-mount bracket with the longer side panel (item 1).
3. Using the four 8-32 screws (item 2), attach the rack-mount brackets (items 1 and 4) to your SCXI chassis.
4. Use the two 6-32 screws (item 3) to secure the rack-mount brackets (items 1 and 4) to your SCXI chassis when they are in positions 1, 2, 3, or 4. Figure 2 shows the completed assembly.
5. Use the four 10-32 screws shown in Figure 2 to attach the assembly to your rack.

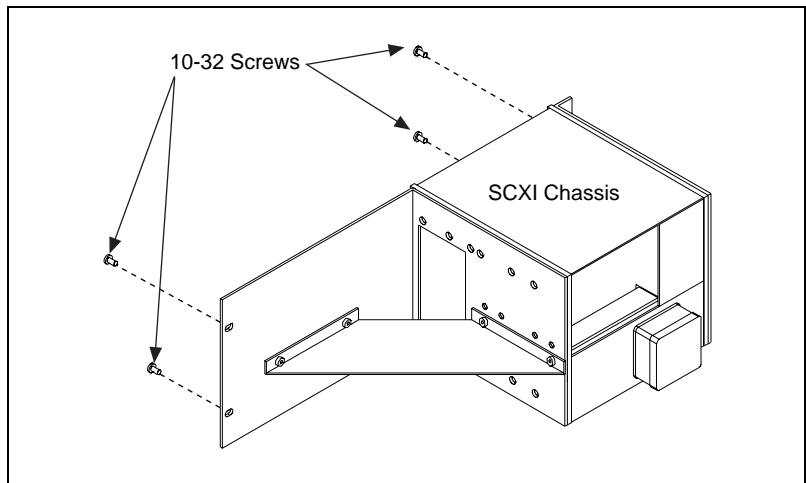


Figure 2. Attaching the Assembly to Your Rack